

**Linear pendant and surface mounted modules**

**SILHOUETTE 560 SX 41351-973-1**

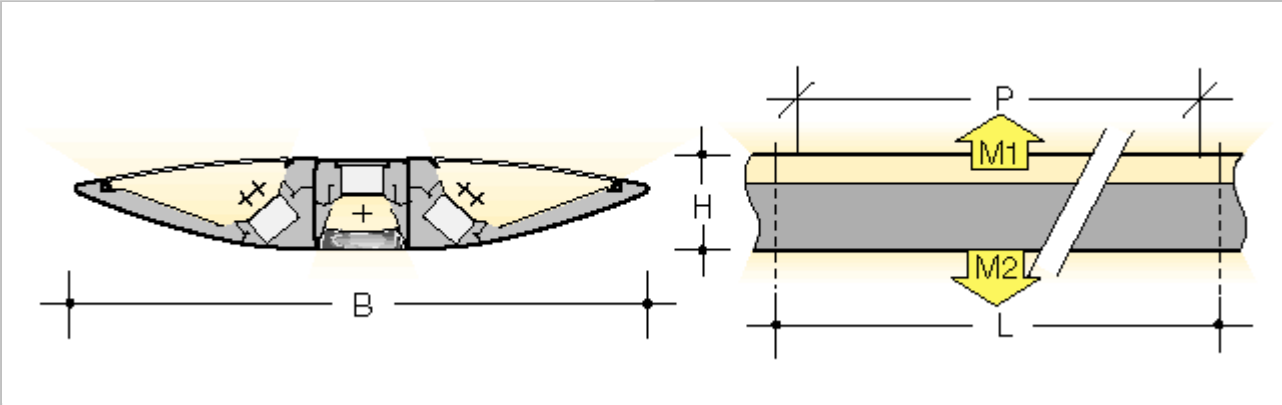


**Linear pendant fitting with EB for fluorescent lamps 5x T5/28 W**

Direct / indirect lighting,  
with PARABOLIC louvres, satin finish,  
Body of extruded aluminium,  
End panels (2mm aluminium),  
with prismatic profile on the upper side,  
Max. length of catenary suspension 1500 mm, can be shortened on site,  
5-pole terminal block up to 2.5mm<sup>2</sup>,  
Colour: White RAL 9016  
B: 560mm, H: 90mm, L: 1180mm  
Weight: 19 kg

**Manufacturer: SELUX**  
**Typ: SX 41351-973-1**

for system components an accessories see extra sheet



Length L: 1180mm  
Width B: 560mm  
Height H: 90mm  
Distance between suspension points P: Variable

Photometric data: [see second page](#)

Lamp	Photometric data	Position
4 x T16/28W (2600 lm)	4869-28	M1
1 x T16/28W (2600 lm)	3022-28	M2

IP20

SELUX INTERIOR

# Linear pendant and surface mounted modules

## SILHOUETTE 560 SX 41351-973-1

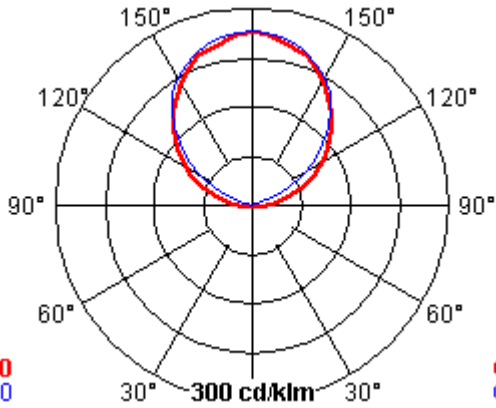
Photometric data:

Total lamp equipment: 5 x T5/28 W (2600 lm)  
 Electronic ballast  
 with electronic transformer  
 Connected load: 152,5 W  
 Light output ratio: 73,2 %  
 Light distribution: 20% direct - 80% indirect,  
 I max(160°) 330 cd/1000lm

Photometric data:

**4869-28**

Lamp: 4 x T5/28 W (2600 lm)  
 I max(180°) 270 cd/1000lm



**C180**  
**C270**

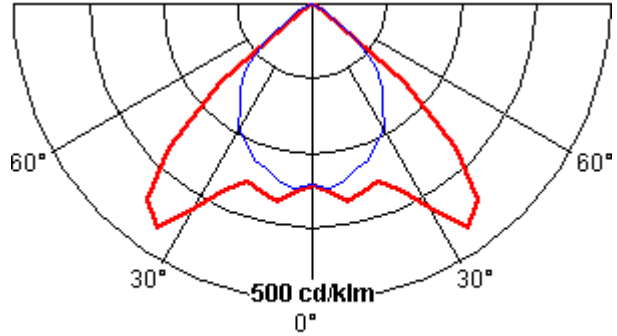
**C0**  
**C90**

more technical Data: [see first page](#)  
 Subject to technical modification 07.2007 © SELUX

Photometric data:

**3022-28**

Lamp: 1 x T5/28 W (2600 lm)  
 I max(35°) 460 cd/1000lm



**C180**  
**C270**

**C0**  
**C90**  
**IP20**