

CITYLIGHTS 180

- > NARROW OR WIDE BEAM
- > WITH EUTRAC 3 CIRCUIT MULTI ADAPTOR
- > MADE OF DIE-CAST ALUMINIUM
- > CHROMIUM-PLATED DECORATIVE ROD
- > LOCKABLE
- > FOR EUTRAC 1 CIRCUIT AND 3 CIRCUIT TRACK, WITH OR WITHOUT DATA BUS
- > SILVER FINISH

CITYLIGHT 180 FOR HIT



CITYLIGHT 180 12° FOR HIT

	ADAPTOR	SILVER	Ø	H	L	W	DATA
1 x 150W	3~	SX 180-215-3	180	400	206	4.5kg	4721

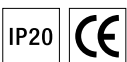
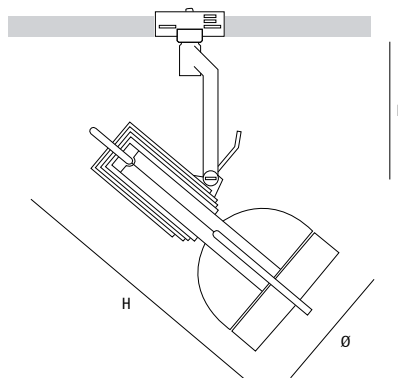
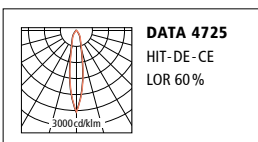
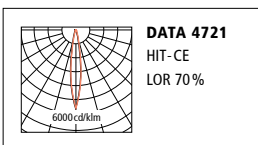


CITYLIGHT 180 20° FOR HIT-DE

	ADAPTOR	SILVER	Ø	H	L	W	DATA
1 x 150W	3~	SX 180-115-3	180	400	206	4.5kg	4725

CITYLIGHT 180 ACCESSORIES

SX 180-002-0	Red colour filter
SX 180-003-0	Blue colour filter
SX 180-006-0	Black barn doors
SX 180-008-0	Diffuser lens*
SX 180-009-0	Sculpture lens*
SX 180-005-2	Honeycomb louvre*
SX 180-007-2	Accessory frame



Ø: Diameter · H: Spotlight head height · L: Pendant rod length · W: Weight · * requires accessory frame · 3~ abbreviation for 3 circuit